

Standart

Pompa • Yangın Söndürme Sistemleri • Hidrofor

CONFLUX

PACKAGE WASTE WATER PUMPING STATION



Waste Water Pump Station

Waste water pump systems consist of cabinets, submersible pump or pumps, valves, level control equipments and control systems. They offer an ideal solution for places where the levels are lower than the main waste water supply line. They can be freely used in places where a waste water system is not present or impossible (not economic) to built.

Prevents groundwater pollution. Besides, it has an easy installation design with a corrosion resistant, increased life material which also prevents reek.

Technical Specifications

•Cabin Volume	: 200 - 400 - 500 liters
•Pump Quantity	: 1 main (1 spare)
•Piping Diameter	: DN 50
•Material	: polyester added fiberglass composite
•Equipment	: Piping, Guide rail, valves and check valves, filter
•Additional Features	: Protection for falling
•Max. Water Temp.	: 40 °C

Product Designation

Conflux 500 - 2 x 1.5 - 50

Product Model

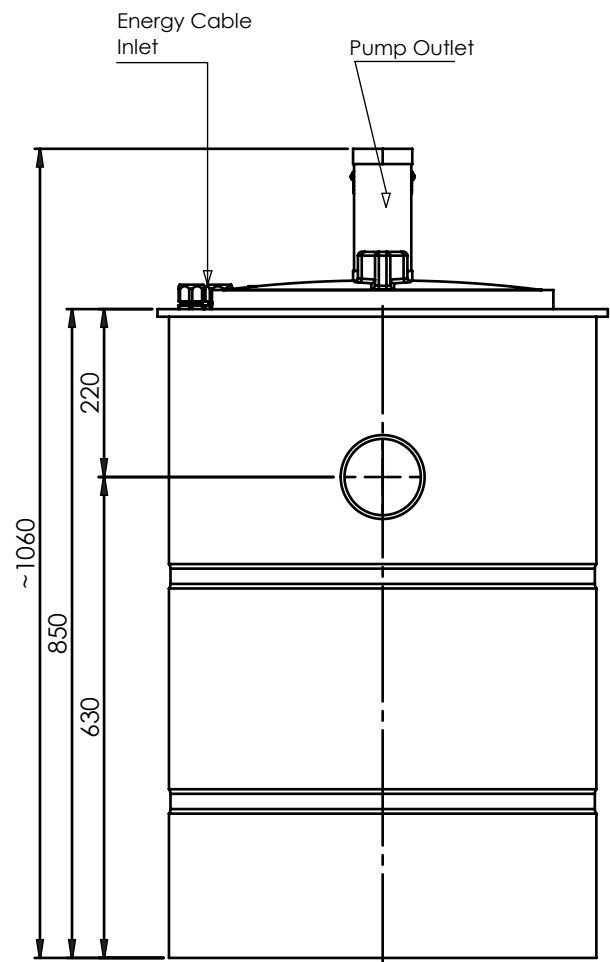
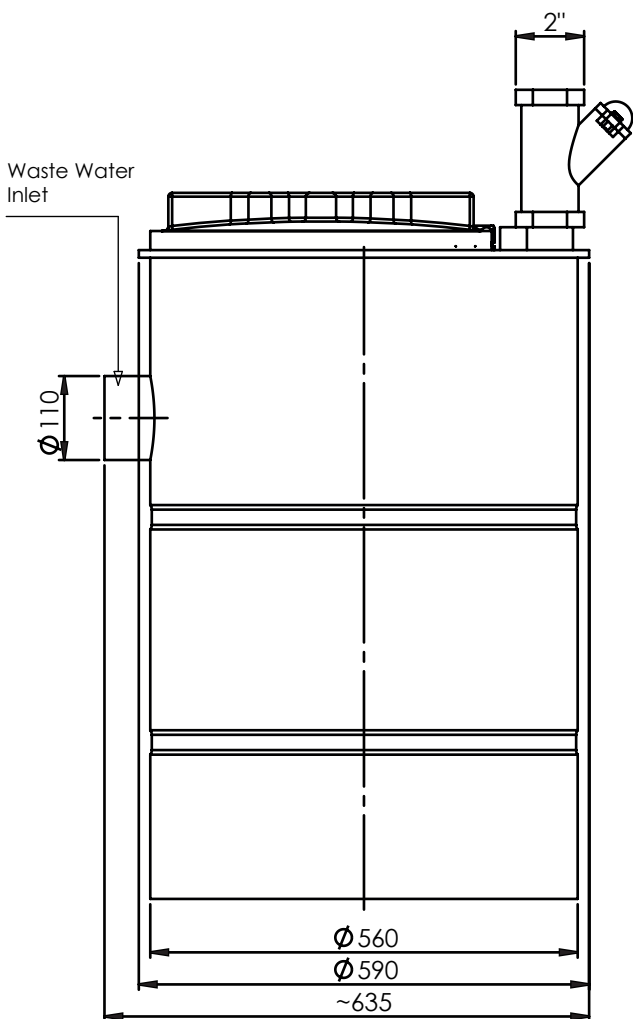
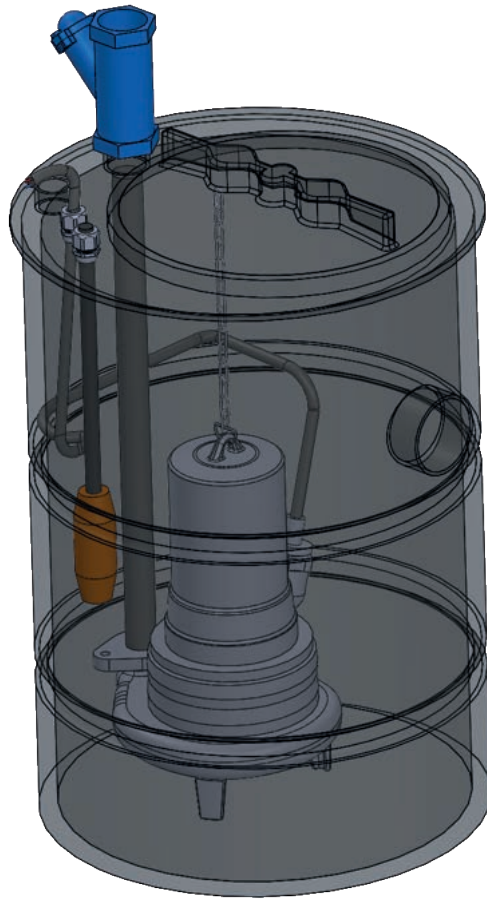
Capacity (Liter)

Pump Quantity

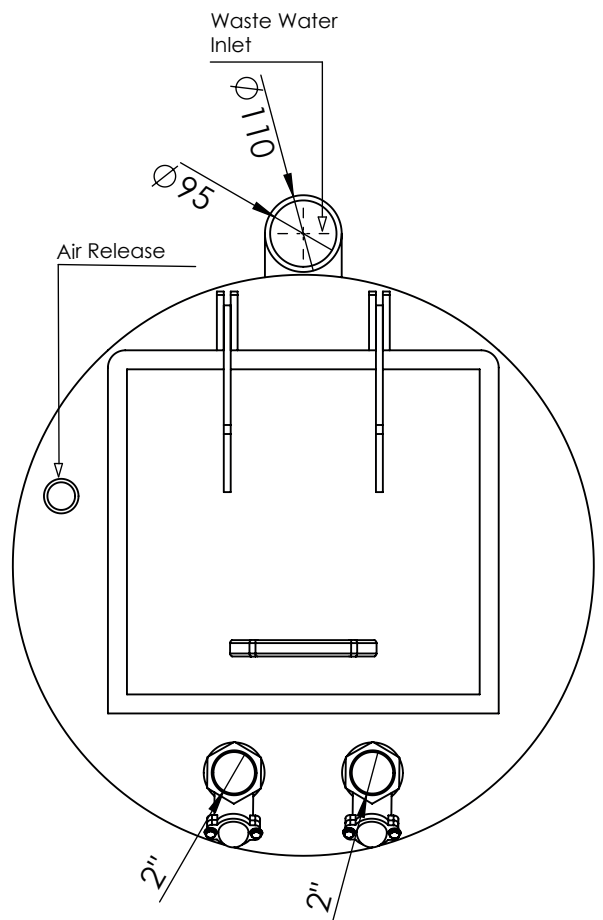
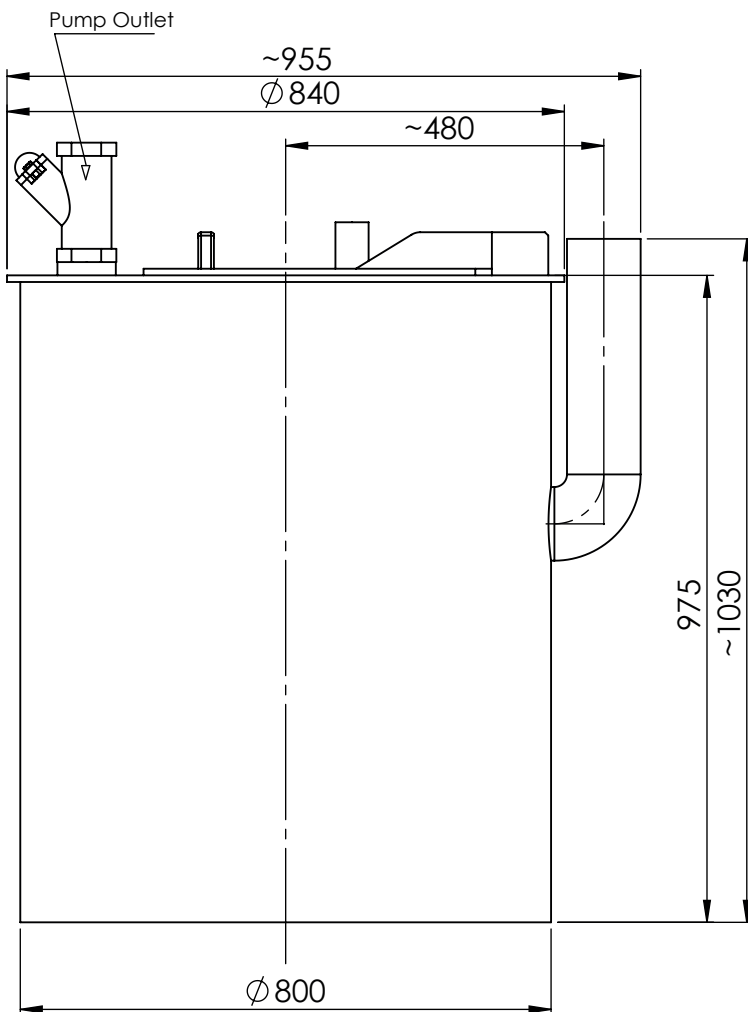
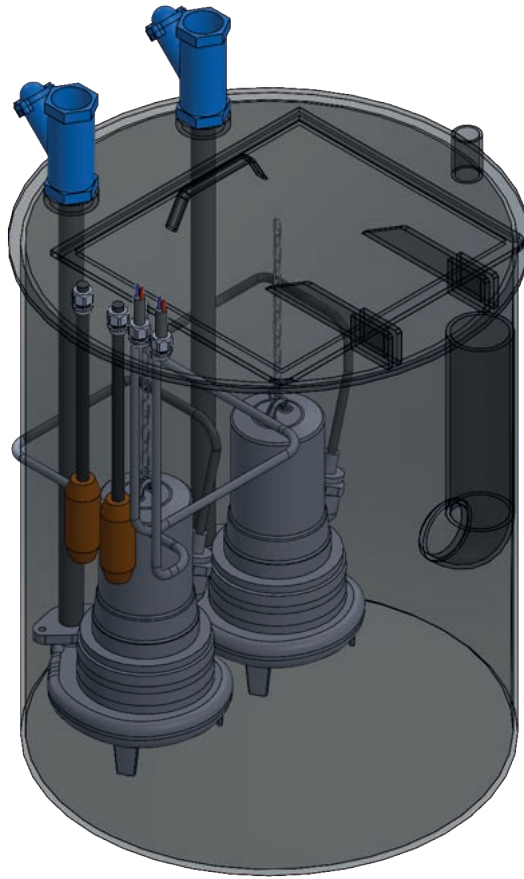
Pump Power (kW)

Outlet Connection (DN)

Conflux 200



Conflux 400



Conflux 500

